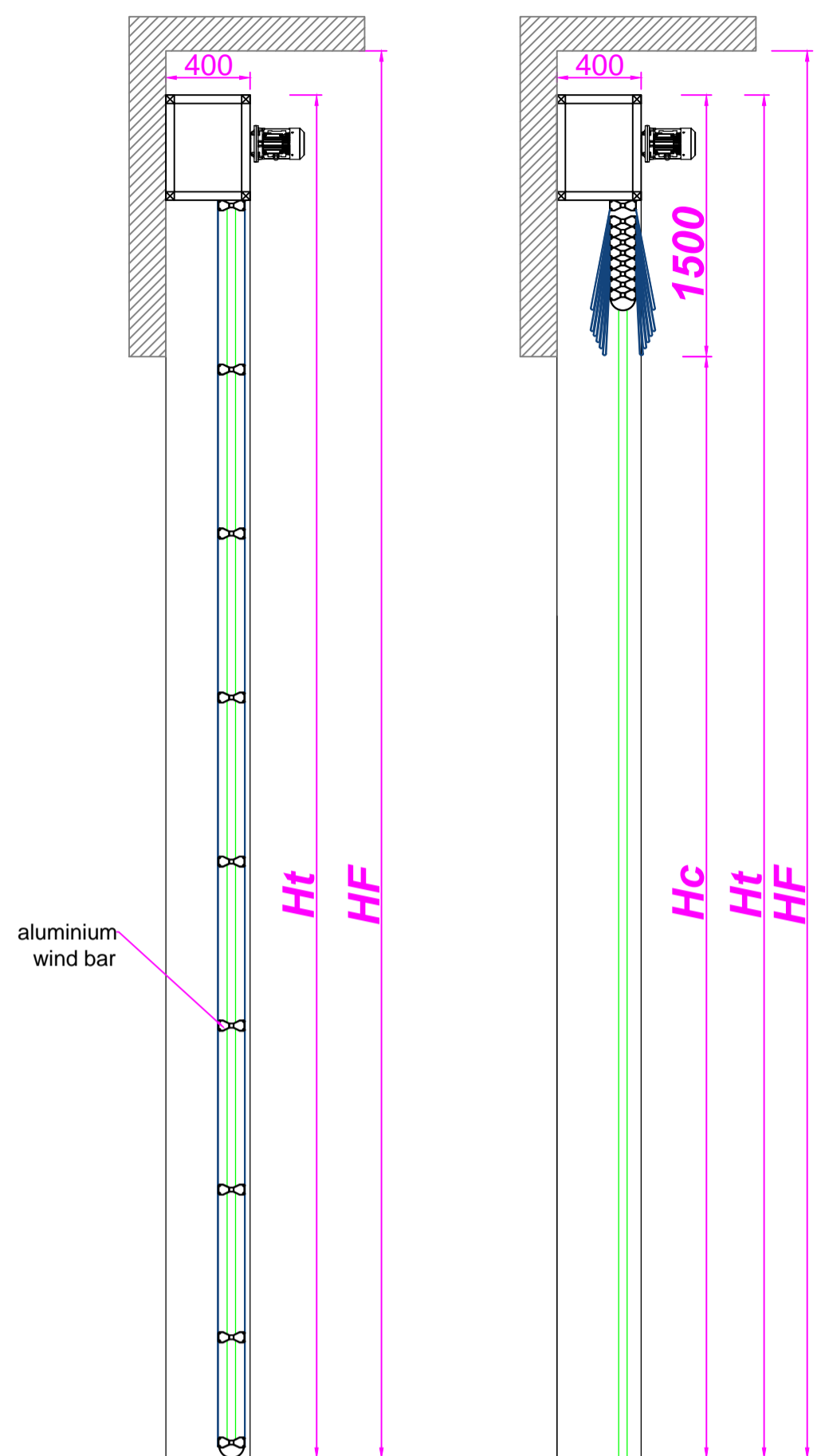
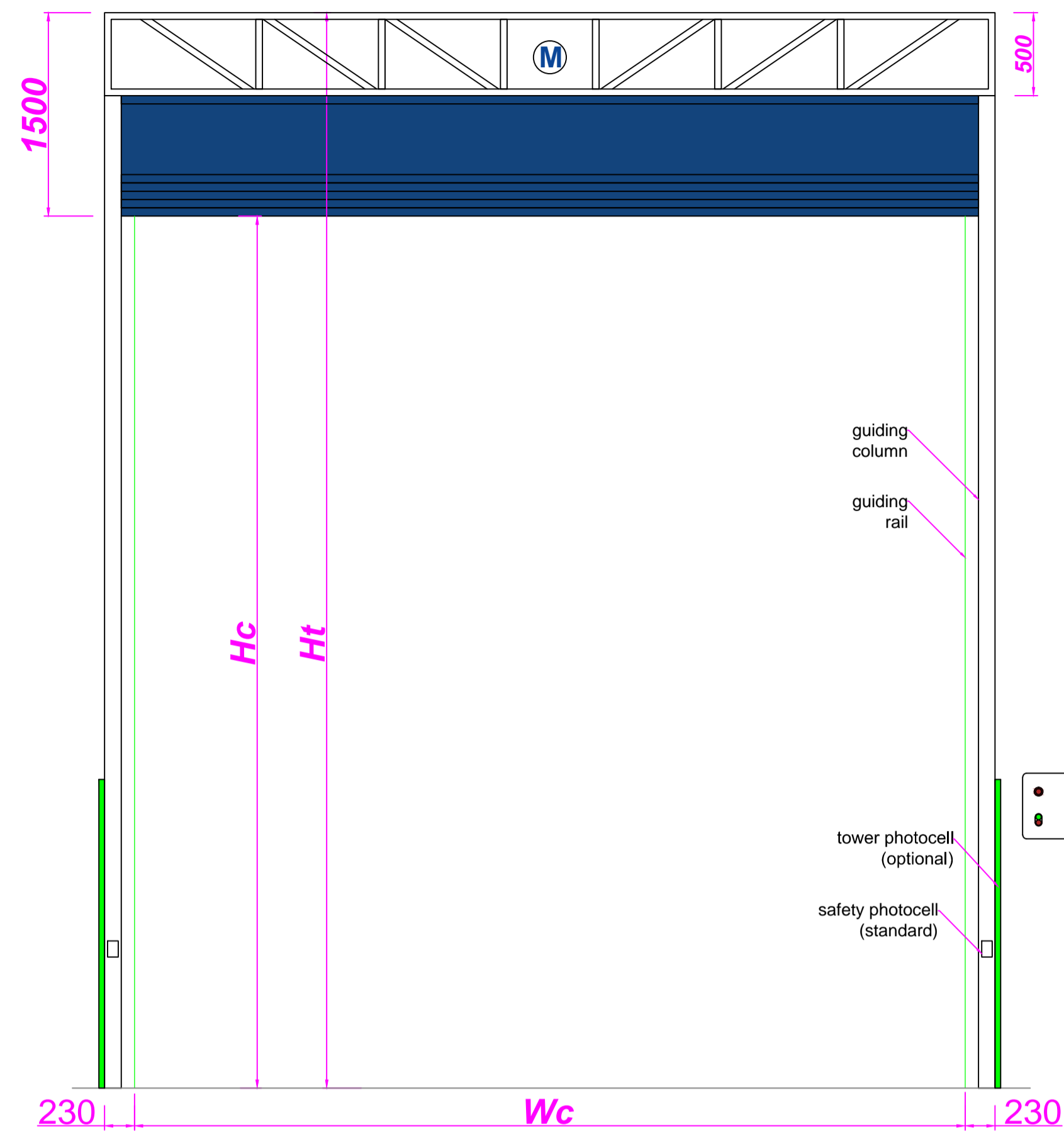


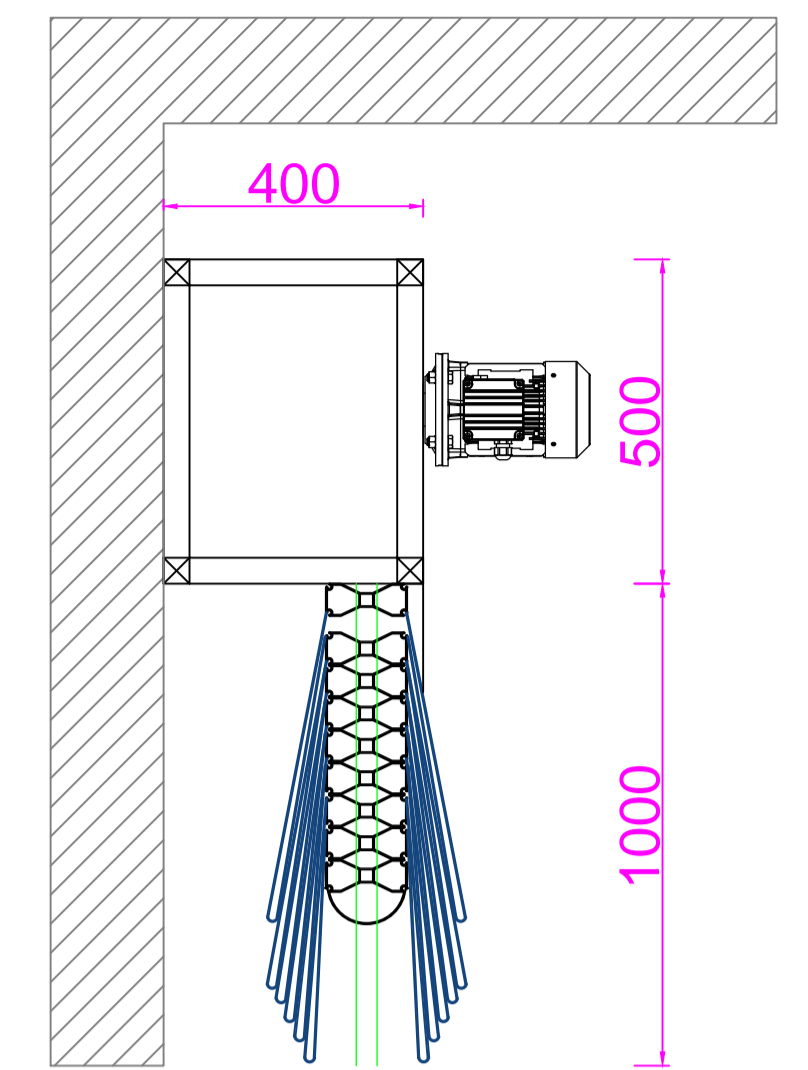
Front View (closed)



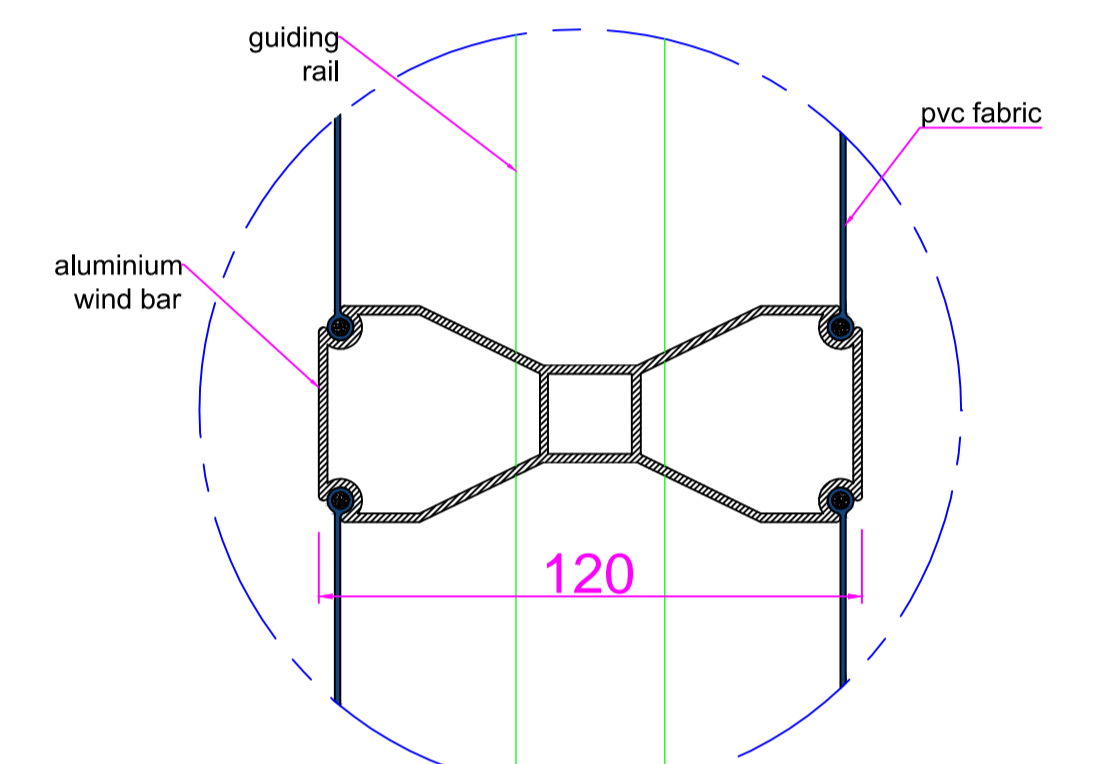
Section View



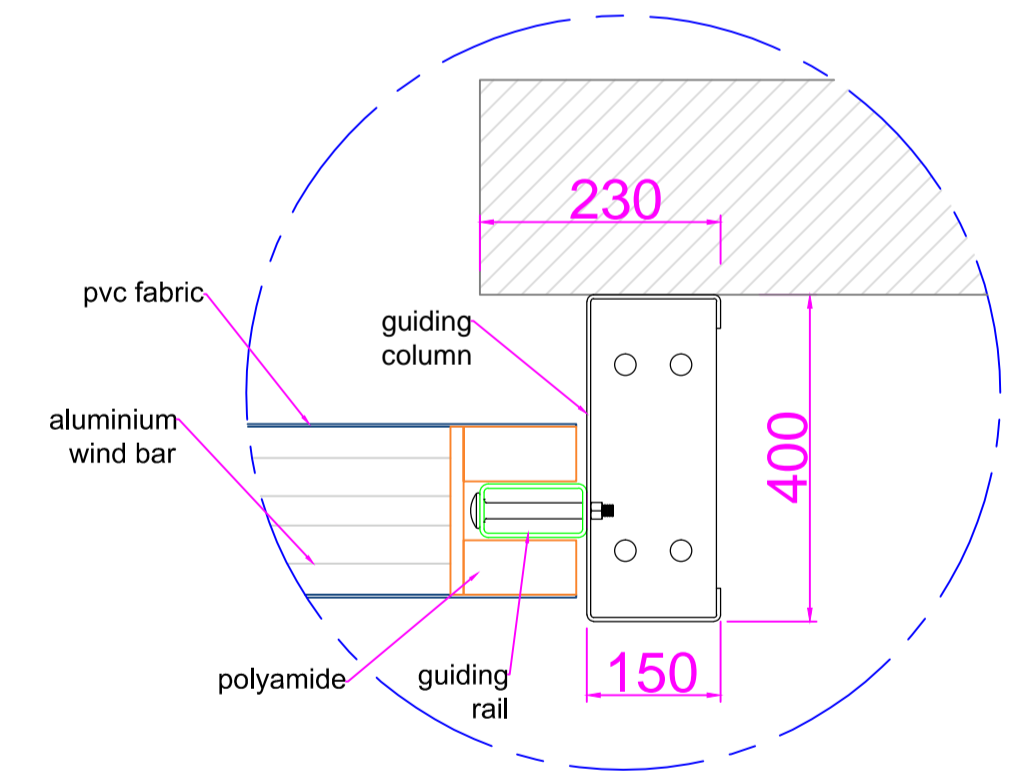
Front View (opened)



Folding Detail

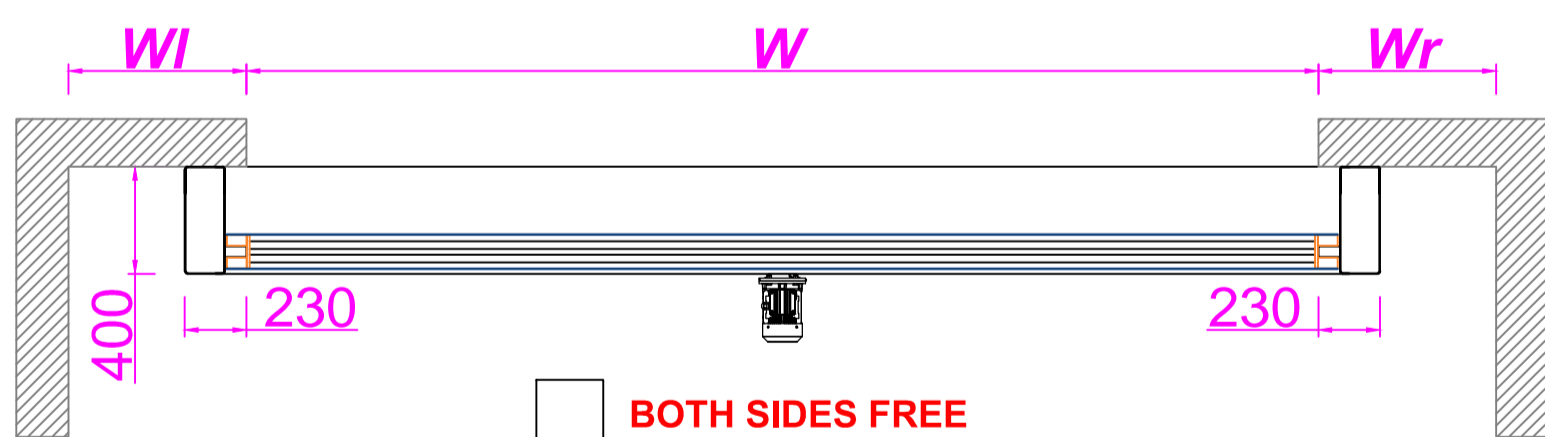


Aluminium Wind Bar

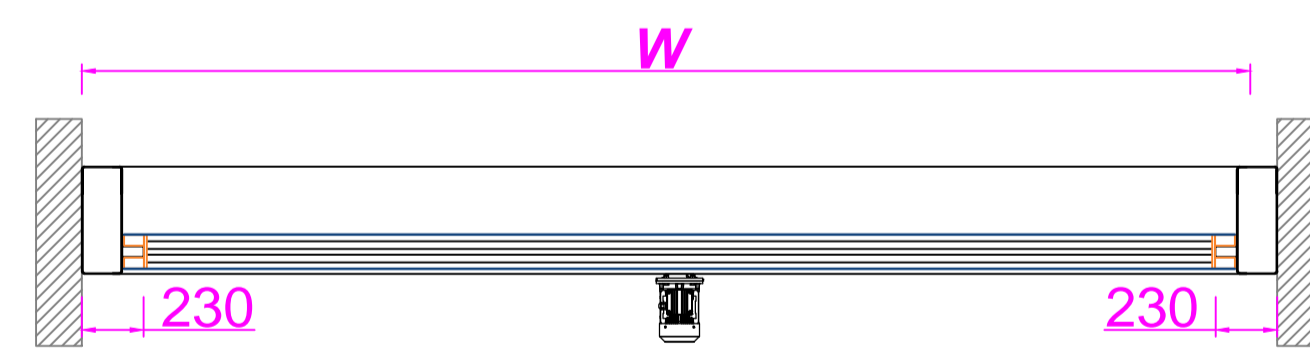


Guiding Detail

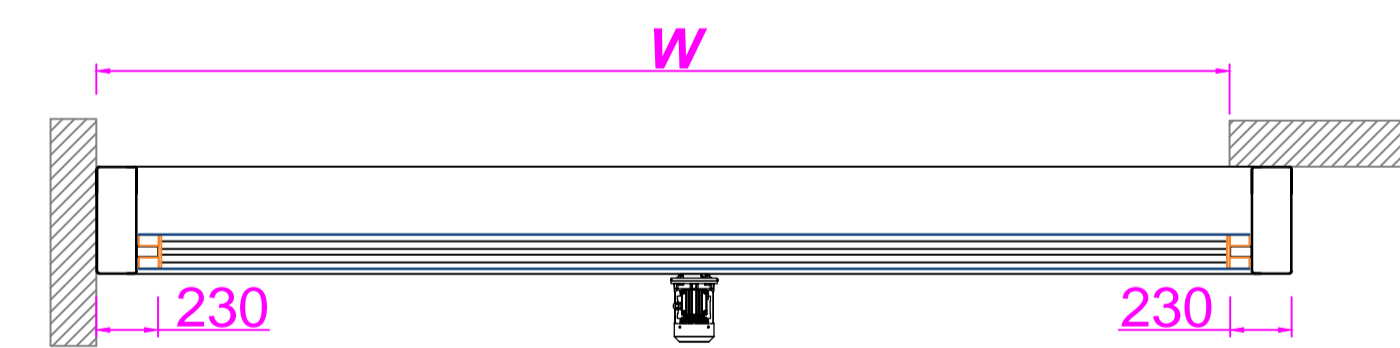
PLEASE SELECT THE PLAN DETAIL TYPES



BOTH SIDES FREE
Clear Width (Wc) = W



WALL ON BOTH SIDES
Clear Width (Wc) = W - 460



ONE SIDE FREE
Clear Width (Wc) = W - 230

Proje Adı / Project Name :		Miktar Quantity	Pano Yeri Control Panel Location		Branda Rengi Fabric Color				Pencere Window		Kontrol ve Güvenlik Control and Safety Options		Voltaj Seviyesi Voltage Spec.		
Ürün Adı / Product Name :		pcs.	Left	Right	L.Grey RAL 7038	D.Grey RAL 7046	L.Blue RAL 5015	Black	Available (row)	N/A	Pull Down Switch	Motion Dedector	Monophase (V)	
ALUFLEX LTE ALUMINIUM 120mm (TOP SCISSORS MODEL)														Triphase (V)	
ÖLÇÜLER / DIMENSIONS															
W (mm)		Hc (mm)	NOTES: * standard safety equipments : safety photocell * button control on the control panel (standard) * external button is included in the standard package		Orange RAL 2009	Green RAL 6005	Beige RAL 1014	White	Metal Aksam Body Structure		Remote	Loop Dedector	Frequency (Hz)		
Wl (mm)		Ht (mm)			D.Blue RAL 5002	Red RAL 3002	Yellow RAL 1003	Other			Galvanised (Standard)	Powder Coated (Optional)	Tower Photocell	Other	Neutral (Yes/No)
Wr (mm)		HF (mm)													
Wt (mm)															Inverter (Yes/No)