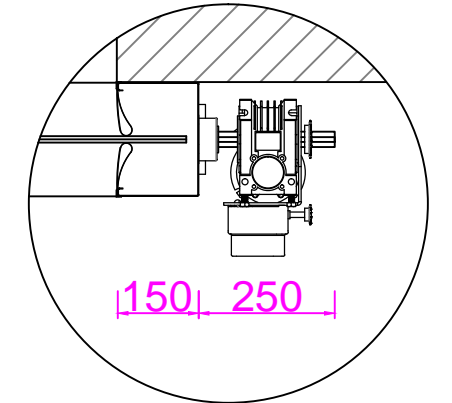
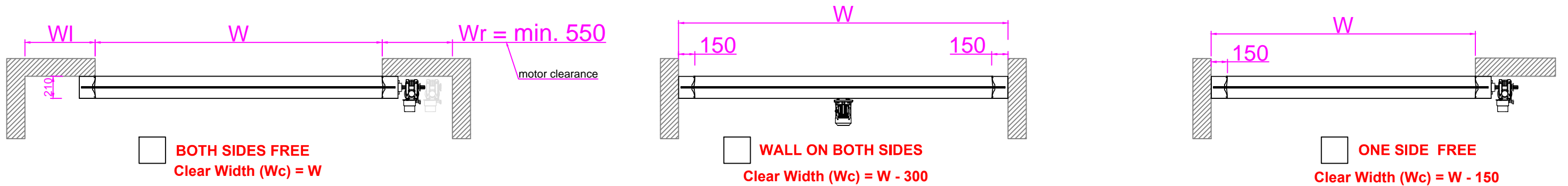


Motor Detail



Guiding Detail

PLEASE SELECT THE PLAN DETAIL TYPES



Proje Adı / Project Name :		Miktar Quantity	Motor Yeri Motor Location			Branda Rengi Fabric Color				Pencere Window		Kontrol ve Güvenlik Control and Safety Options		Voltaj Seviyesi Voltage Spec.	
Ürün Adı / Product Name :			Left Center Right			L.Grey RAL 7038	D.Grey RAL 7046	L.Blue RAL 5015	Black	Available (row)	N/A	Pull Down Switch	Motion Dedector	Monophase (V)	
PVC FOLDING DOOR	pcs.												Triphase (V)	
ÖLÇÜLER / DIMENSIONS															
W (mm)			Hc (mm)	NOTES: * Door guides with a width (Wc) of more than 6000 mm are produced as 200 mm instead of 150 mm. * standard safety equipments : safety photocell * button control on the control panel (standard) * external button is included in the standard package											
Wl (mm)			Ht (mm)												
Wr (mm)			HF (mm)												
Wt (mm)															
					Orange RAL 2009	Green RAL 6005	Beige RAL 1014	White	Metal Aksam Body Structure		Remote	Loop Dedector	Frequency (Hz)		
					D.Blue RAL 5002	Red RAL 3002	Yellow RAL 1003	Other	Galvanised (Standard)	Powder Coated (Optional)	Tower Photocell	Other	Neutral (Yes/No)		
													Inverter (Yes/No)		